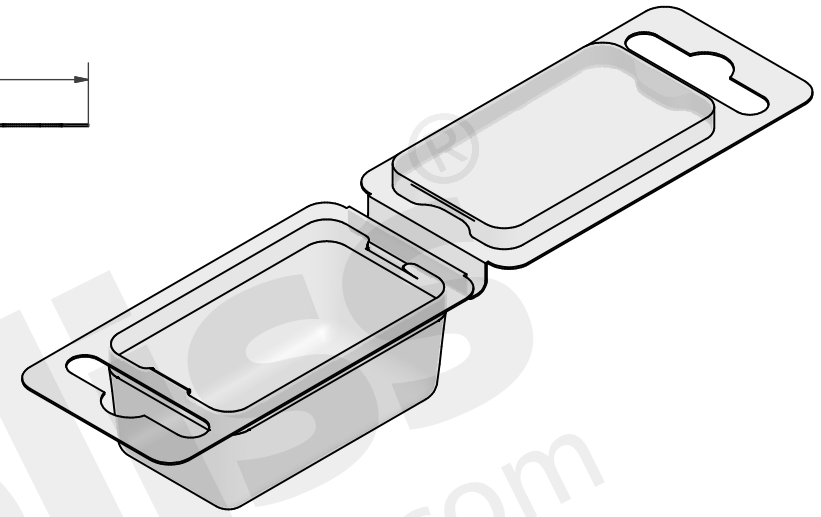
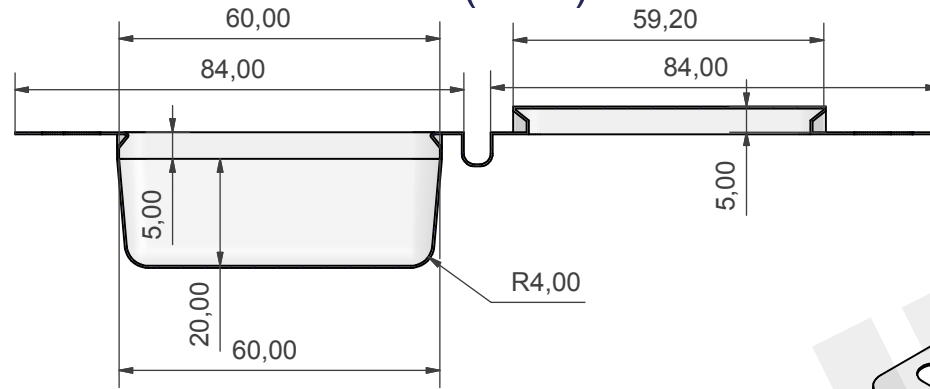
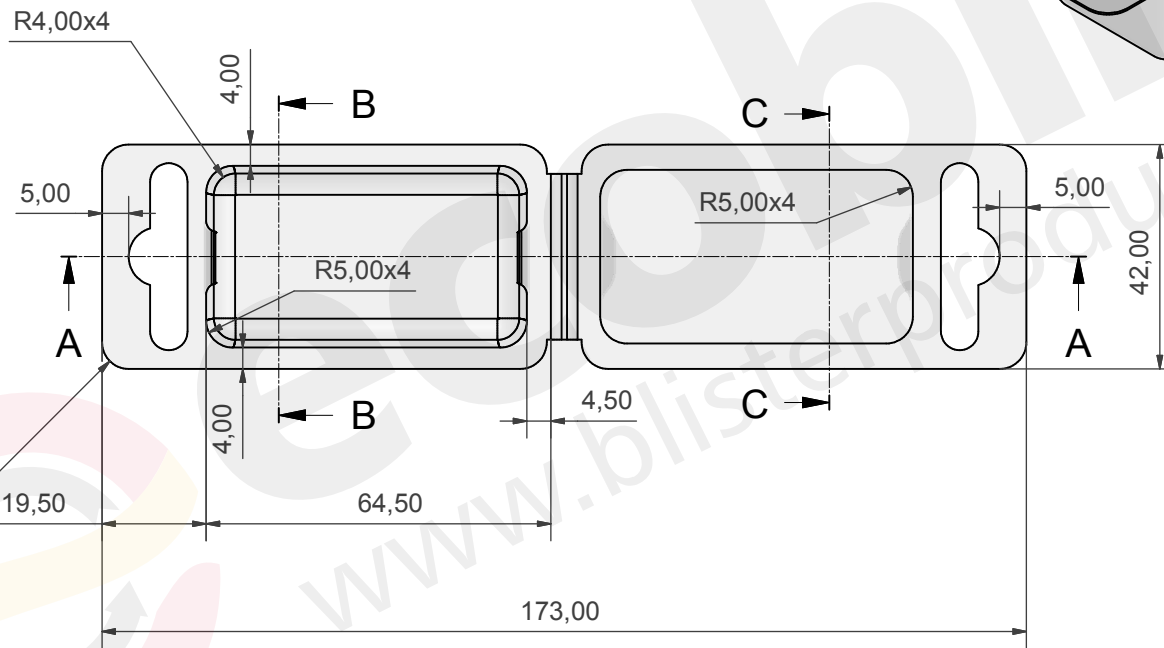
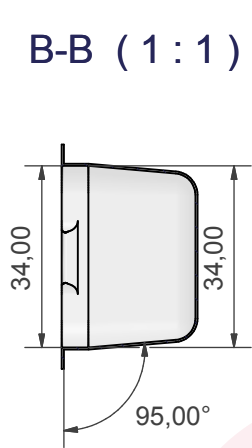


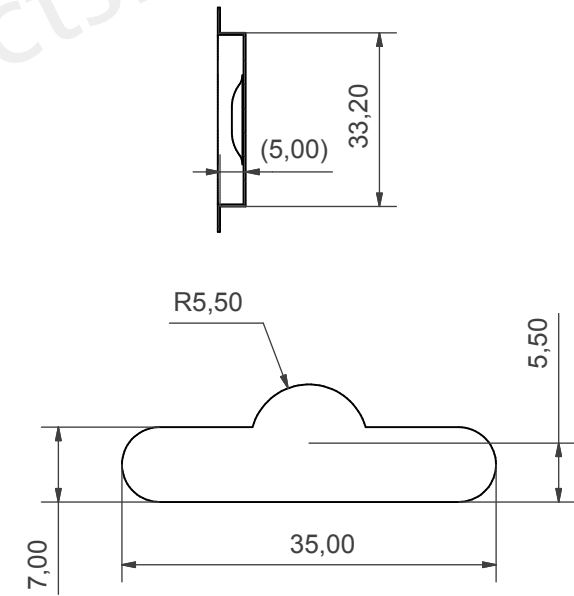
A-A (1:1)




B-B (1:1)



C-C (1:1)



 <b>ecobliss</b> www.blisterproducts.com		Product Code <b>CS042084/34-60-20</b>
Material <b>PET GAG 0,40mm</b>	Tolerance <b>±0,5mm</b>	Release Date <b>7-3-2007</b>