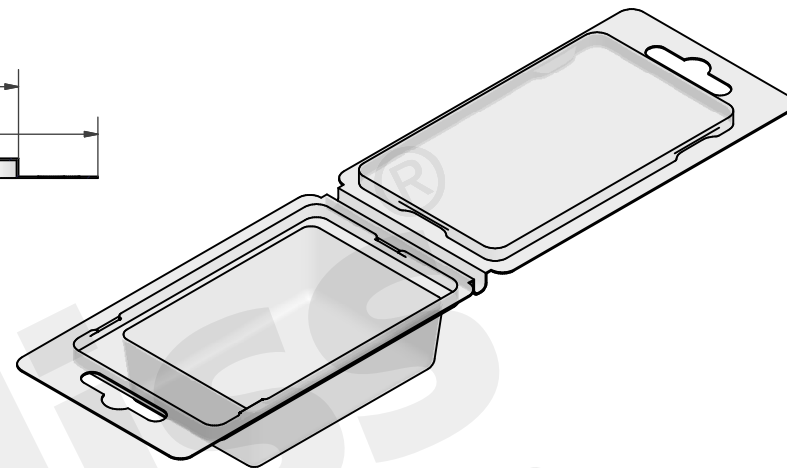
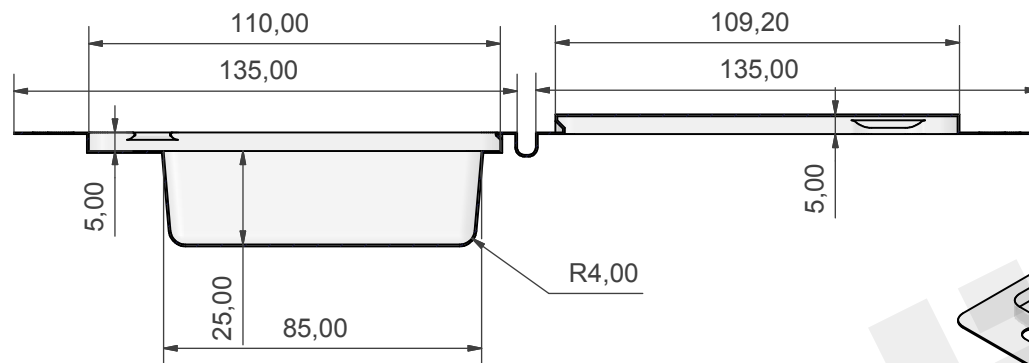
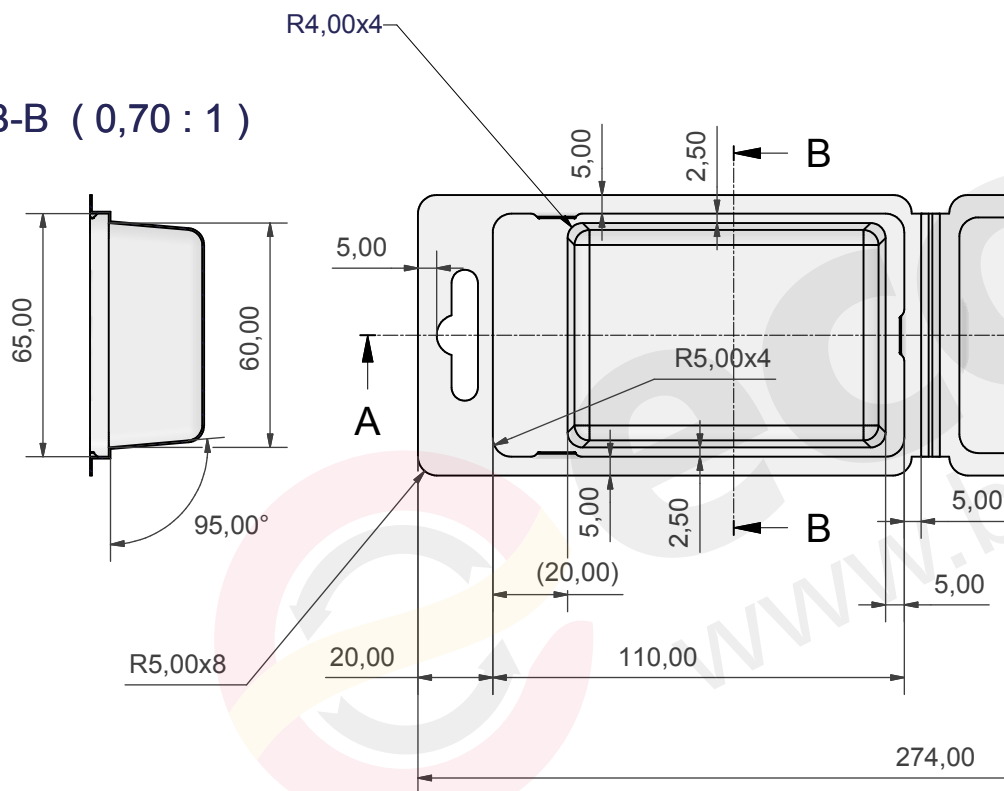


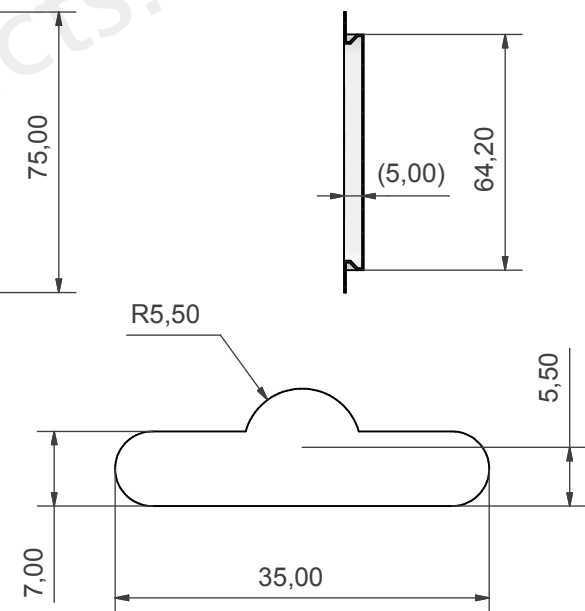
A-A (0,70 : 1)




B-B (0,70 : 1)



C-C (0,70 : 1)



		Product Code CS075135/60-85-25
Material PET GAG 0,40mm	Tolerance ±0,5mm	Release Date 11-5-2007