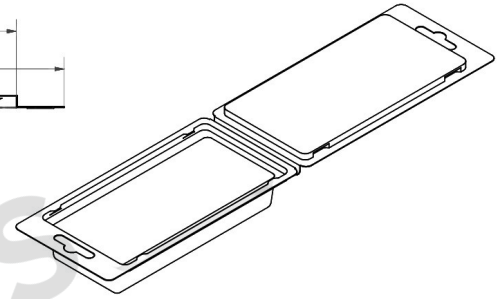
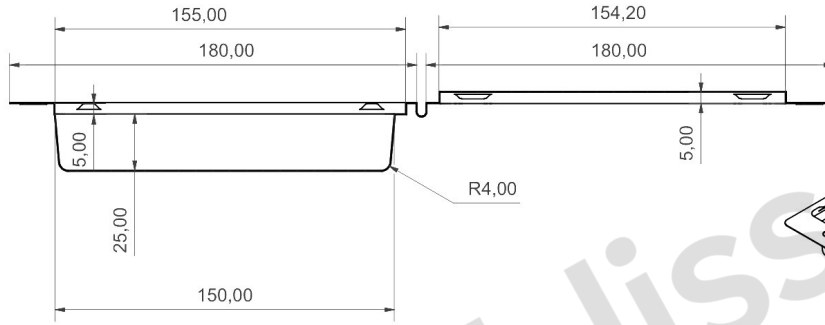
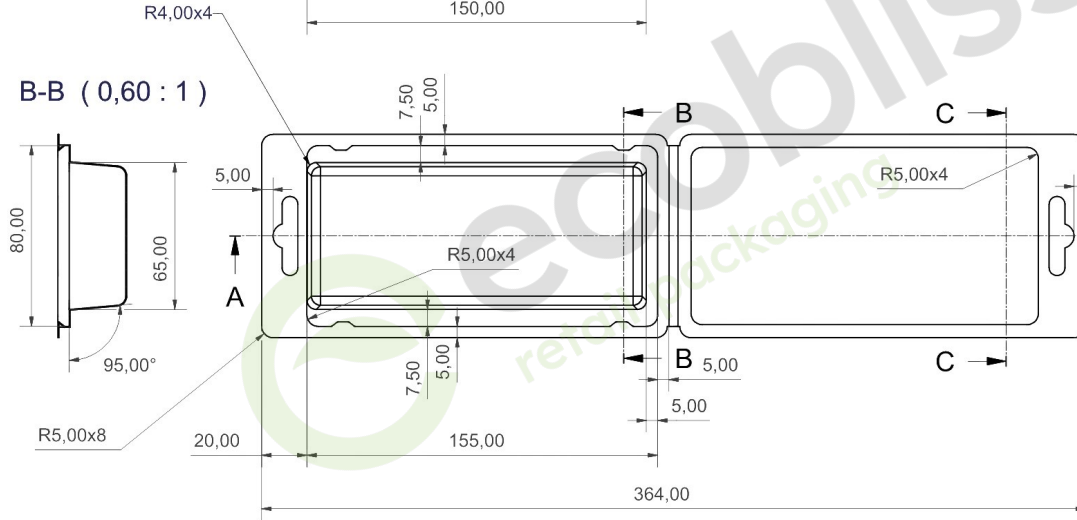


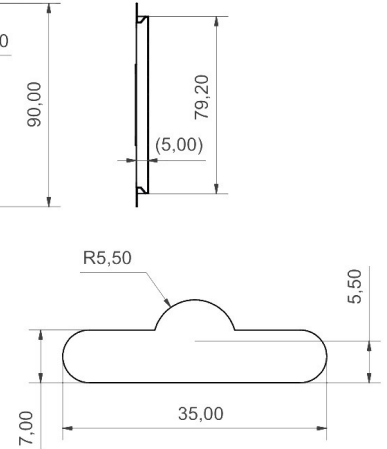
A-A (0,60 : 1)




B-B (0,60 : 1)



C-C (0,60 : 1)



		Product Code
		CS090180/65-150-25
Material	Tolerance	Release Date
PET GAG 0,40mm	±0,5mm	01-05-2025