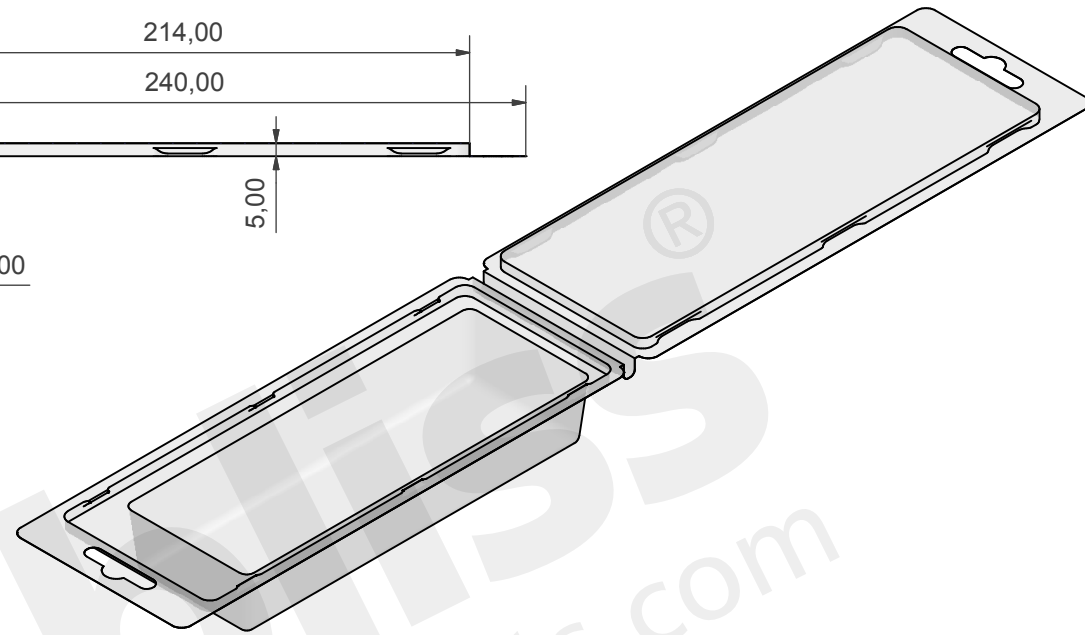
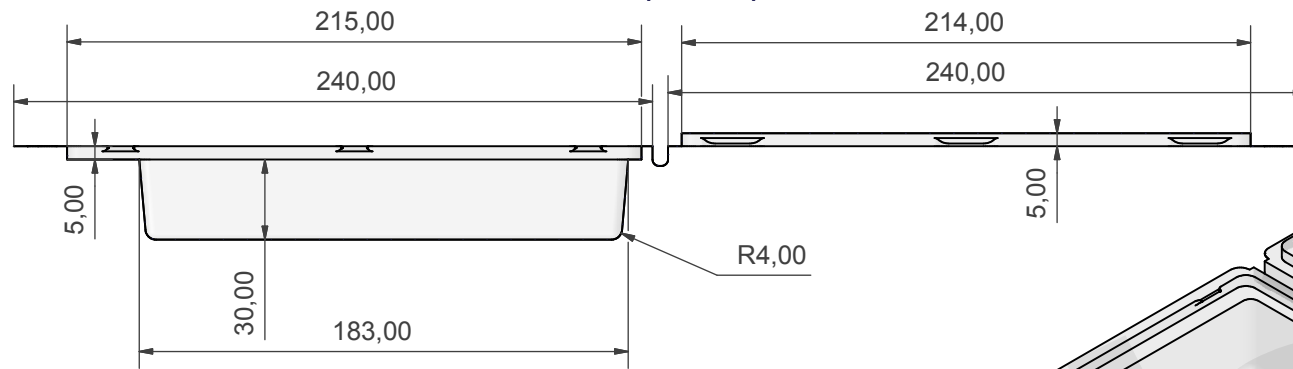
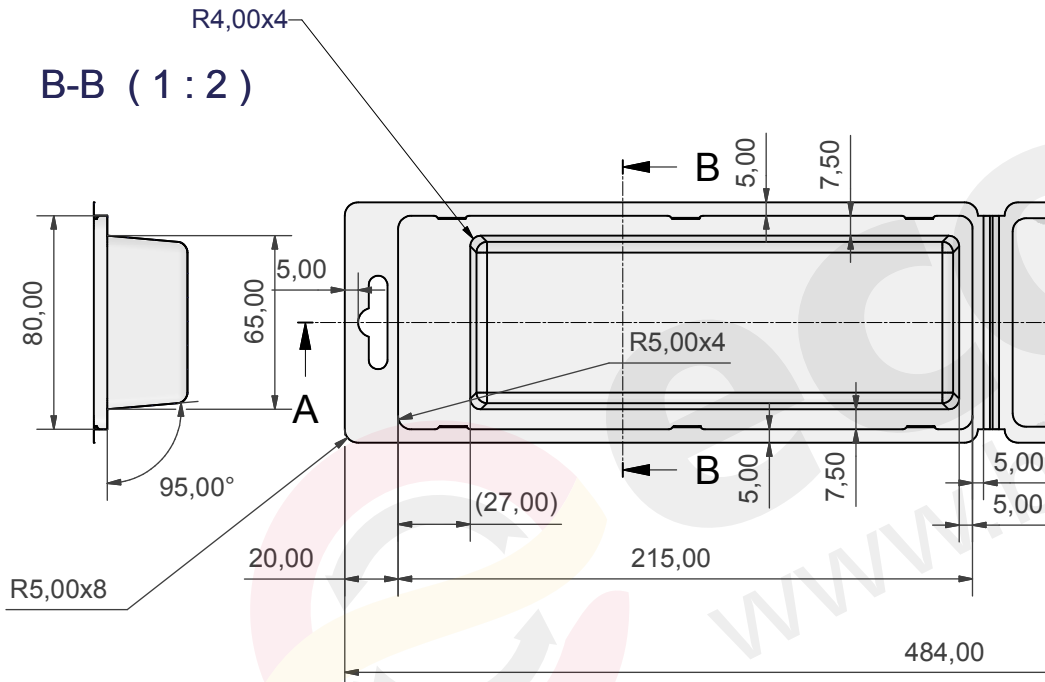


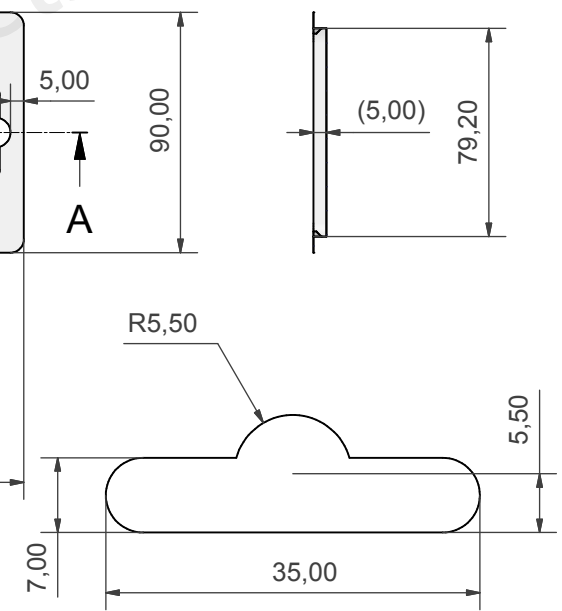
A-A (1:2)




B-B (1:2)



C-C (1:2)



 ecobliss® www.blisterproducts.com		Product Code CS090240/65-183-30
Material PET GAG 0,50mm	Tolerance ±0,5mm	Release Date 6-7-2007