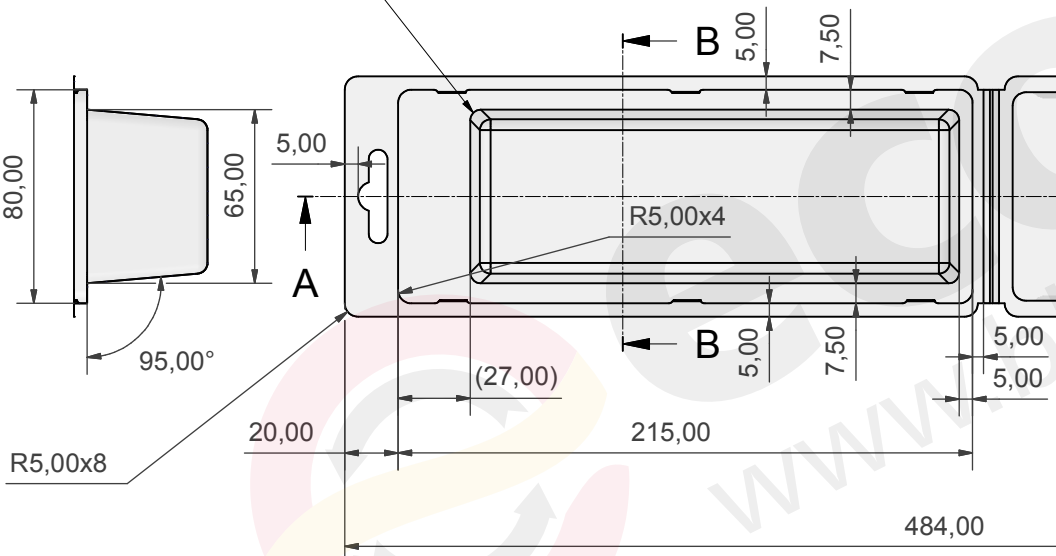
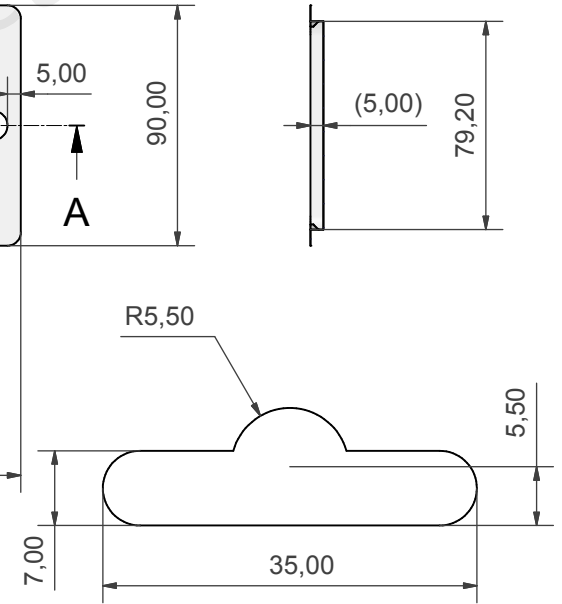



**B-B (1:2)**



**C-C (1:2)**



 <b>ecobliss®</b> www.blisterproducts.com		<b>Product Code</b> <b>CS090240/65-183-45</b>
<b>Material</b> PET GAG 0,50mm	<b>Tolerance</b> ±0,5mm	<b>Release Date</b> 6-7-2007