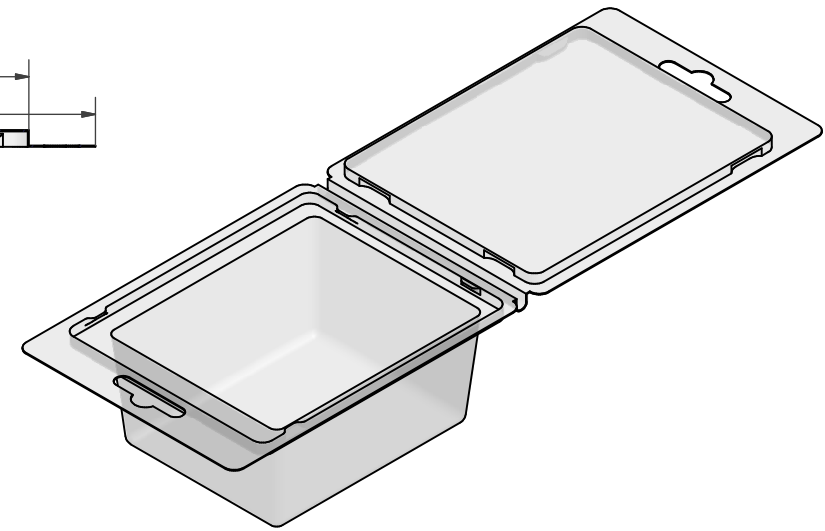
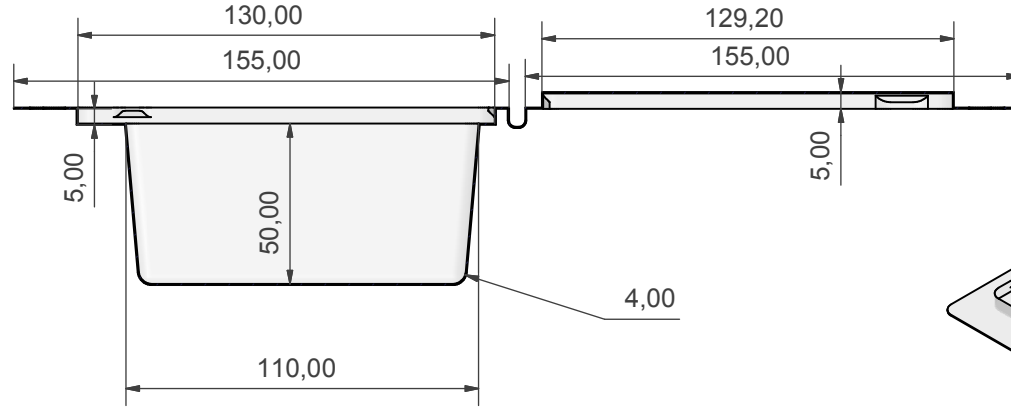
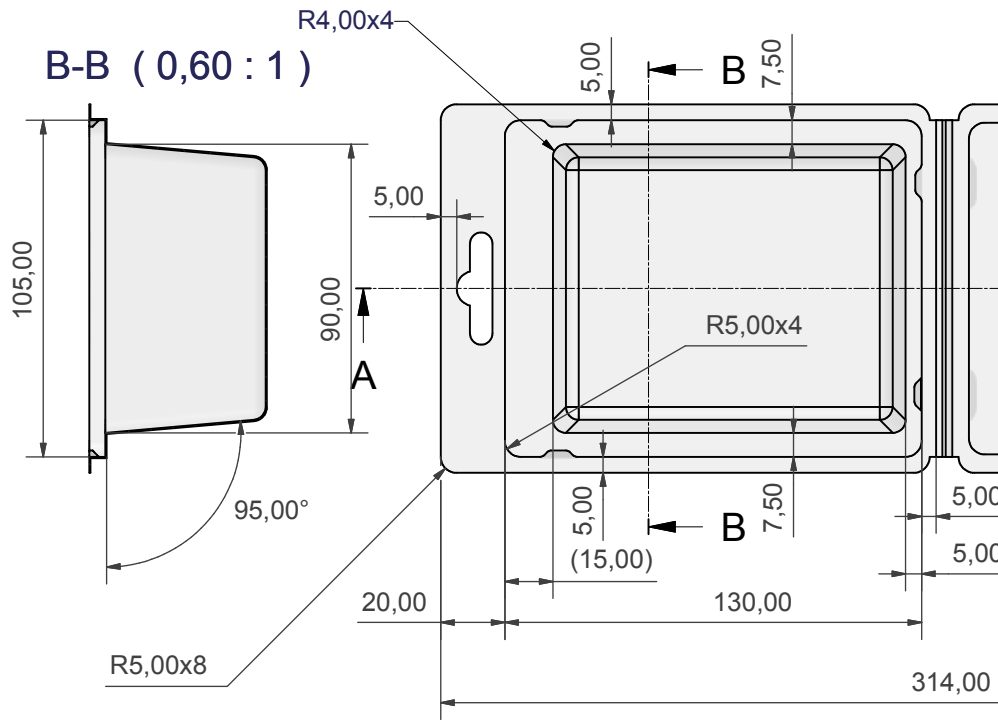


A-A (0,60 : 1)

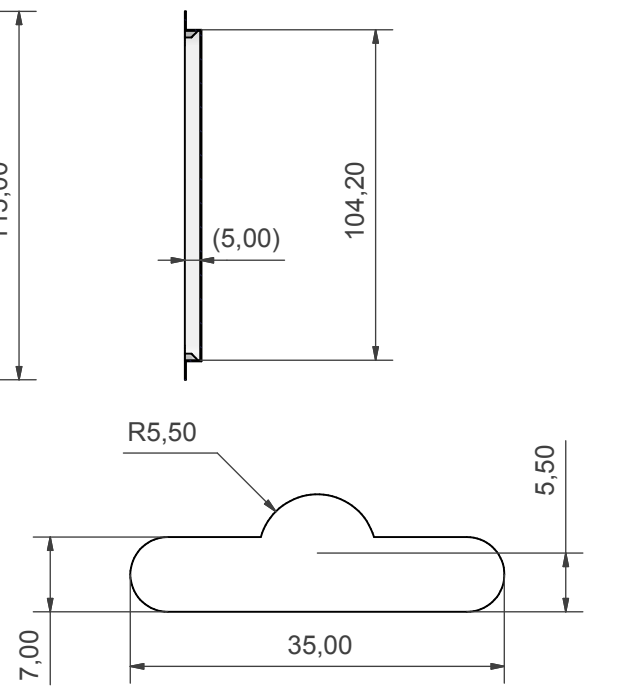
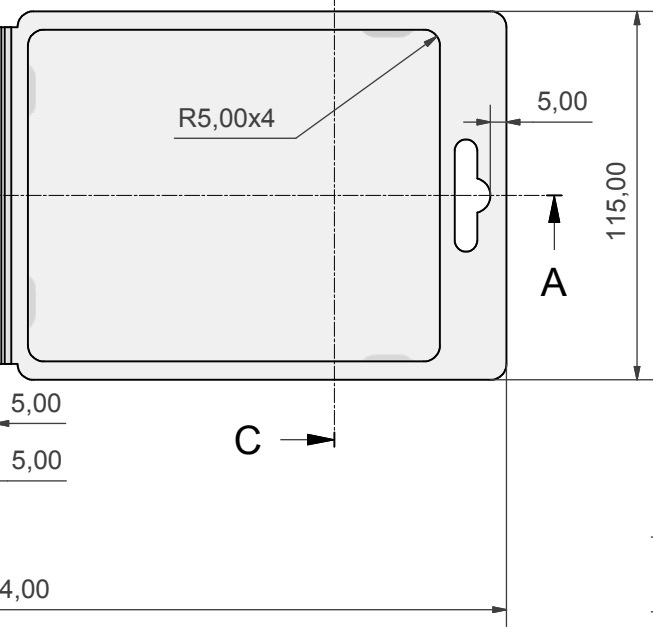



B-B (0,60 : 1)



C

C-C (0,60 : 1)



		Product Code CS115155/90-110-50
Material PET GAG 0,40mm	Tolerance ±0,5mm	Release Date 06-07-2007