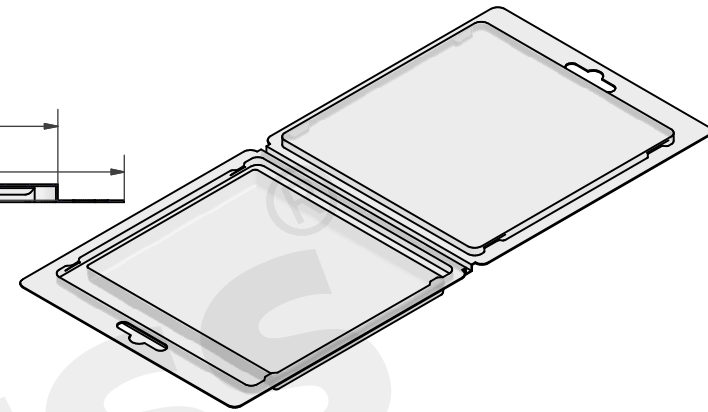
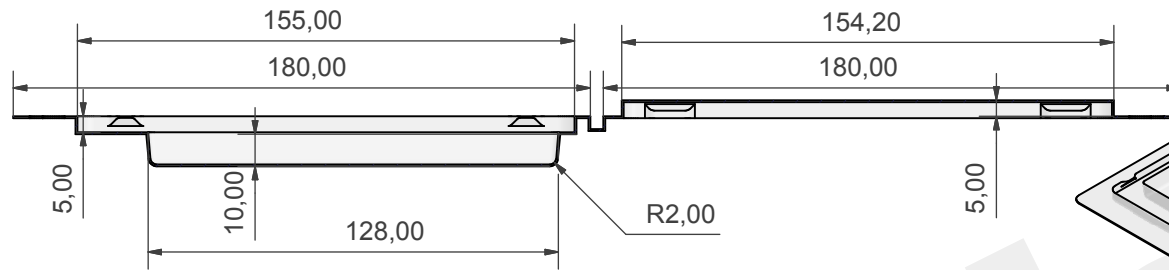
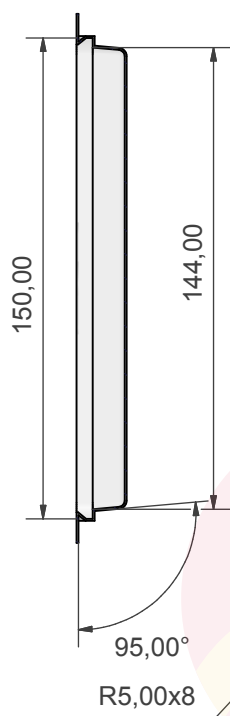


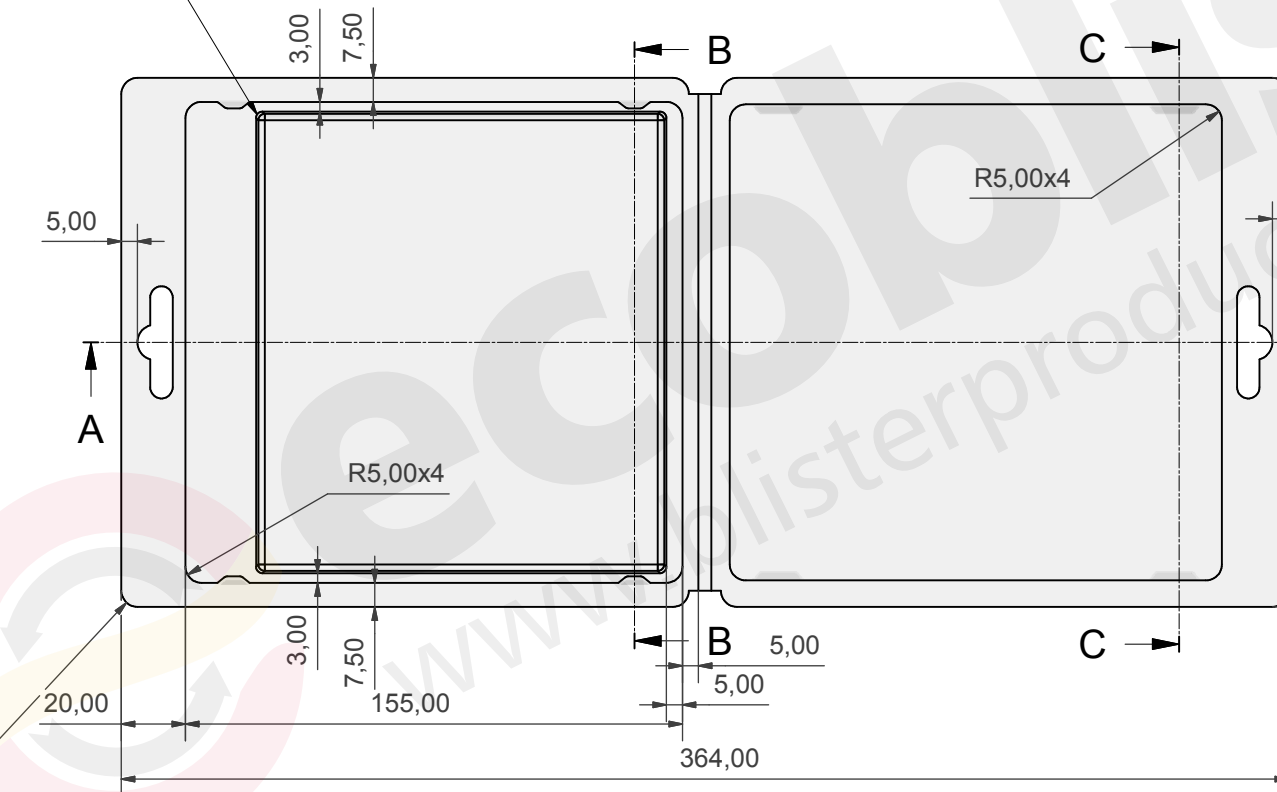
A-A (0,60 : 1)



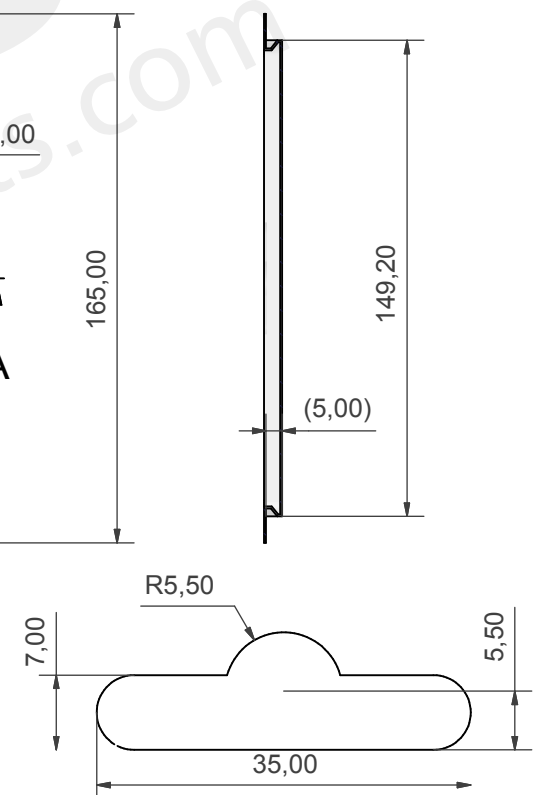
B-B (0,60 : 1)




R2,00x4



C-C (0,60 : 1)



 ecobliss® www.blisterproducts.com		Product Code CS165180/144-128-10
Material PET GAG 0,4mm	Tolerance ±0,5mm	Release Date 4-4-2008