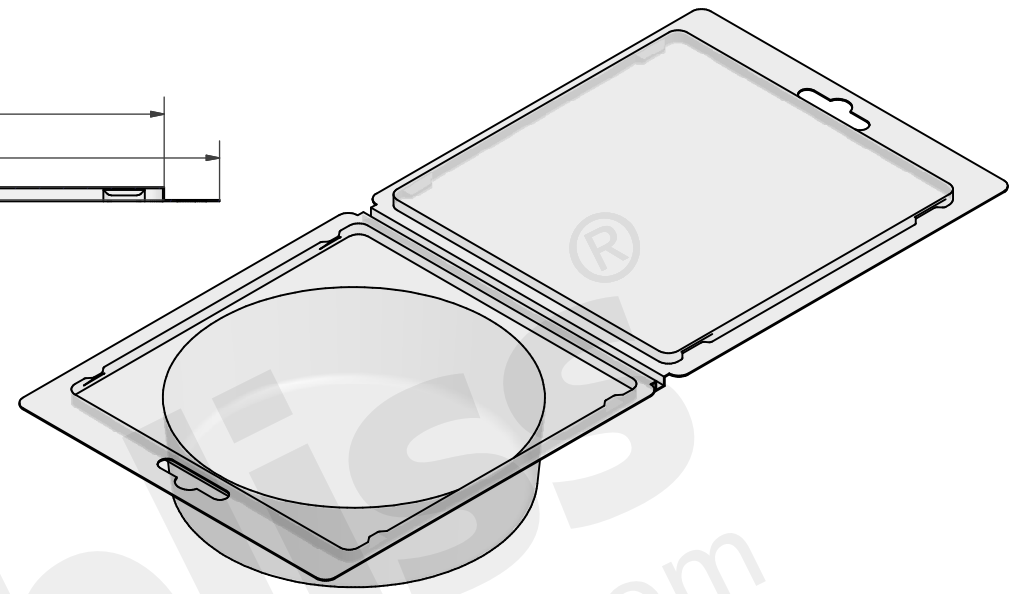
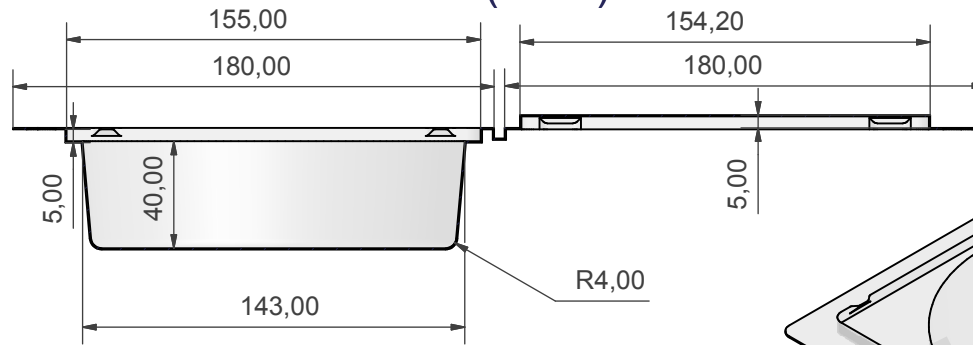
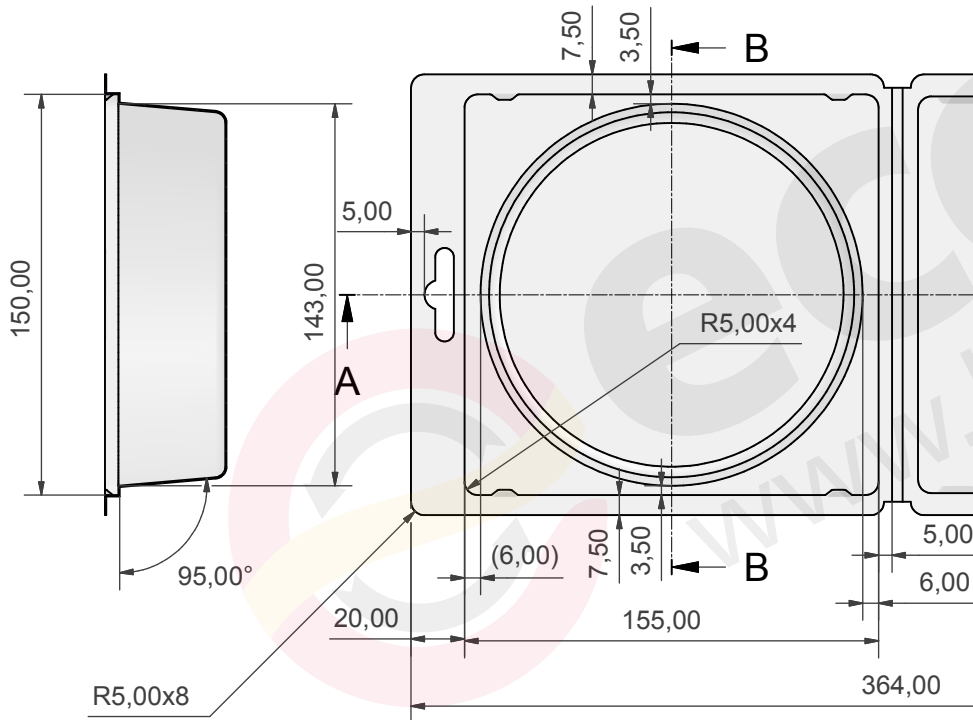


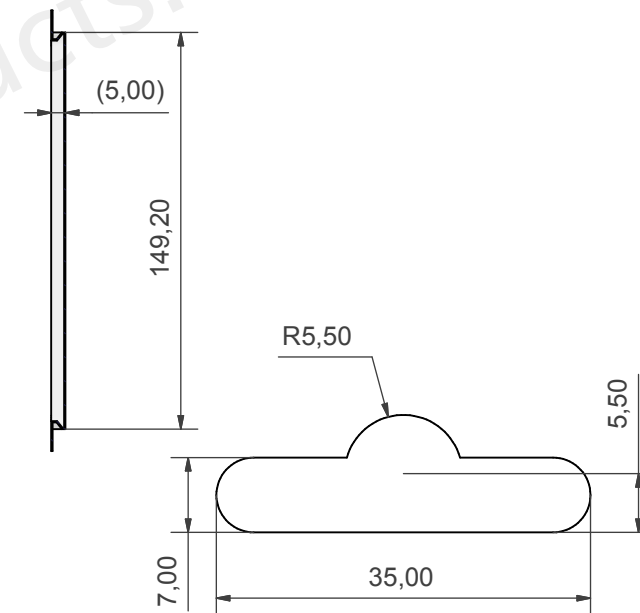
A-A (1:2)




B-B (1:2)



C-C (1:2)



 <b>ecobliss</b> www.blisterproducts.com		Product Code <b>CS165180/D143-40</b>
Material <b>PET GAG 0,5mm</b>	Tolerance <b>±0,5mm</b>	Release Date <b>8-5-2008</b>