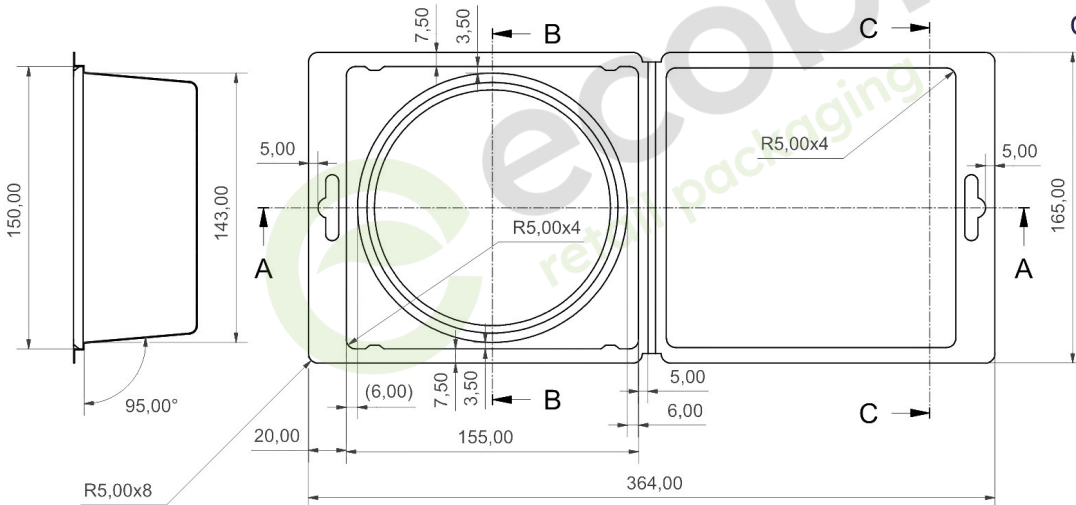
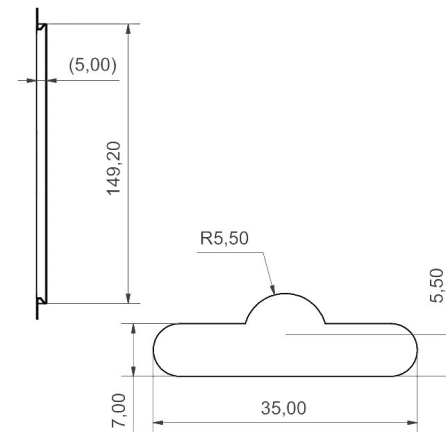



**B-B (1:2)**



**C-C (1:2)**



		<b>Product Code</b> <b>CS165180/D143-60</b>
<b>Material</b> PET GAG 0,5mm	<b>Tolerance</b> $\pm 0,5\text{mm}$	<b>Release Date</b> <b>01-05-2025</b>