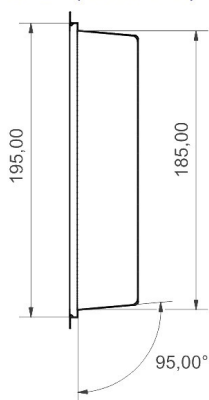
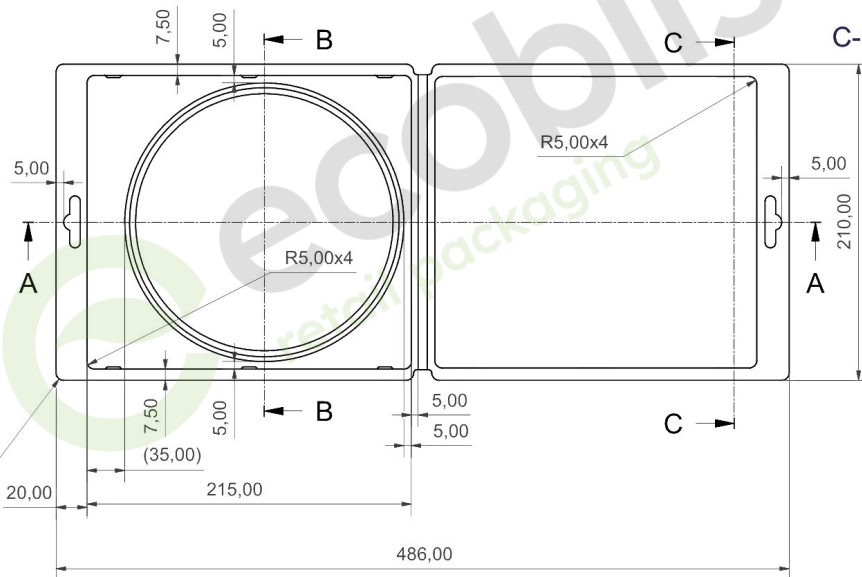


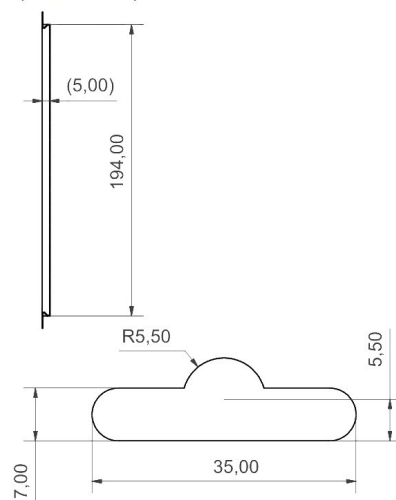
B-B (0,40 : 1)



R5,00x8



C-C (0,40 : 1)



		Product Code
		CS210240/D185-40
Material	Tolerance	Release Date
PET GAG 0,5mm	±0,5mm	01-05-2025