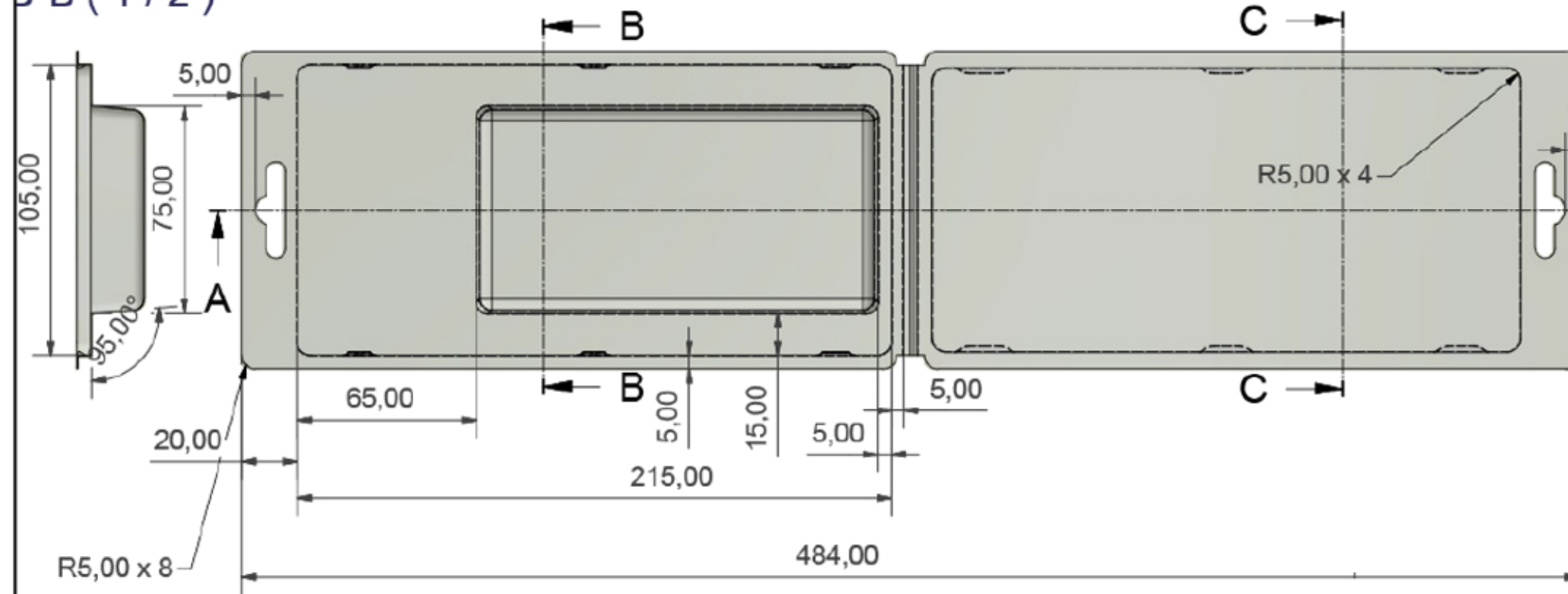
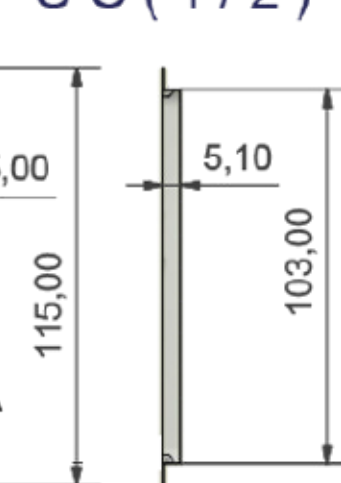


B-B (1/2)



C-C (1/2)



REVISIONS								
REV.	DESCRIPTION	DATE						
<p>THE INFORMATION CONTAINED IN THIS DRAWING IS THE SOLE PROPERTY OF ECOBLISS BV. ANY REPRODUCTION IN PART OR AS A WHOLE WITHOUT THE WRITTEN PERMISSION OF ECOBLISS BV IS PROHIBITED.</p> <p>UNLESS OTHERWISE SPECIFIED, DIMENSIONS ARE IN MILLIMETERS</p> <p>TOLERANCES:</p> <table border="1"> <tr> <td>LINEAR</td> <td>± 0.75 mm</td> </tr> <tr> <td>ANGULAR</td> <td>± 0.75°</td> </tr> <tr> <td>CUTTING DIE</td> <td>± 0.3 mm</td> </tr> </table>			LINEAR	± 0.75 mm	ANGULAR	± 0.75°	CUTTING DIE	± 0.3 mm
LINEAR	± 0.75 mm							
ANGULAR	± 0.75°							
CUTTING DIE	± 0.3 mm							
<p>MATERIAL : PET GAG 0,5 mm</p> <p>MATERIAL COLOUR : clear</p> <p>PART TYPE :</p> <p>PART STATUS :</p>		<p>SIGNATURE FOR APPROVAL RFD</p> <p>NAME:</p> <p>DATE:</p> <p>SIGNATURE FOR APPROVAL PROTOTYPING</p> <p>NAME:</p> <p>DATE:</p>						
<p>REMARKS :</p>		<p>PROJECT NAME: CS115240 75 145 19</p> <p>CUSTOMER:</p> <p>DRAWING NUMBER:</p>						
<p>DO NOT SCALE DRAWING</p> <p>ORIGIN DATE : 13.04.2018</p>		<p>SCALE 1:1</p> <p>DRAWN BY:</p>						
<p>SHEET 1 OF 1</p>		<p>A3</p>						

