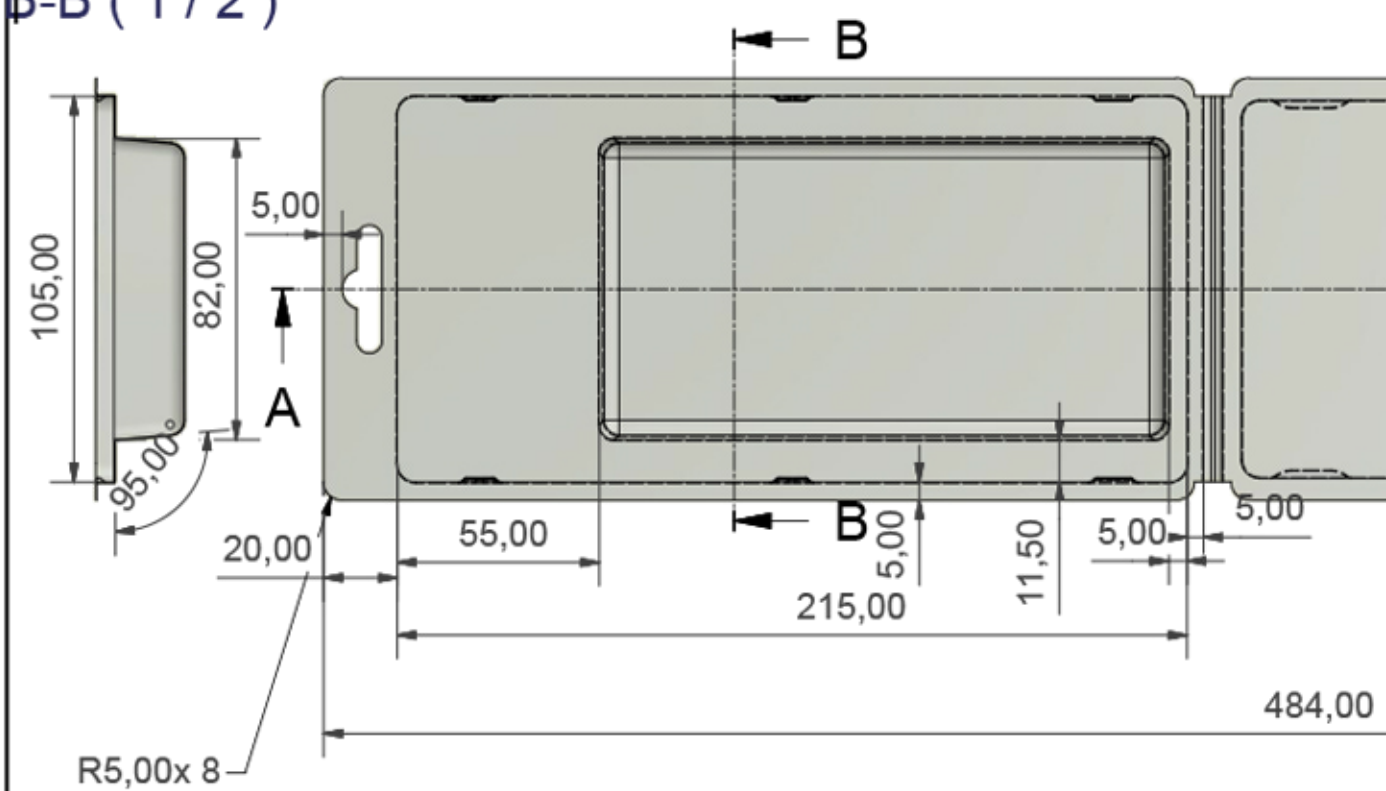
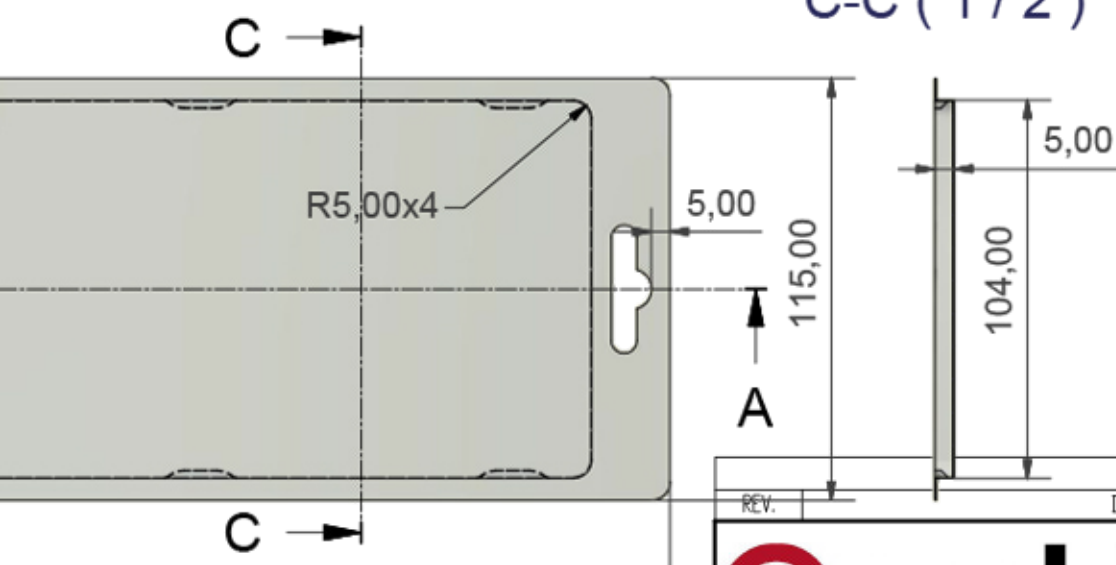


B-B (1/2)



C-C (1/2)



REV.	DESCRIPTION	DATE


**ecobliss**  
 blister and high visibility packaging solutions

MATERIAL : PET GAG 0,5 mm  
 MATERIAL COLOUR : clear  
 PART TYPE :  
 PART STATUS :

SIGNATURE FOR APPROVAL RFD  
 NAME:  
 DATE:  
 SIGNATURE FOR APPROVAL PROTOTYPING  
 NAME:  
 DATE:

REMARKS :  
 PROJECT NAME: CS115240 82 155 19  
 CUSTOMER:  
 DRAWING NUMBER:

DO NOT SCALE DRAWING  
 ORIGIN DATE : 13.04.2018  
 SCALE 1:1  
 DRAWN BY:

SHEET 1 OF 1 | A3

THE INFORMATION CONTAINED IN THIS DRAWING IS THE SOLE PROPERTY OF ECOBLISS S.P.A. AND REPRODUCTION IN PART OR BY ANY MEANS WITHOUT THE WRITTEN PERMISSION OF ECOBLISS IS PROHIBITED.  
 UNLESS OTHERWISE SPECIFIED DIMENSIONS ARE IN MILLIMETERS  
 TOLERANCES:  
 LINEAR ± 0.75 mm  
 ANGULAR ± 0.75°  
 CUTTING DIE ± 0.3 mm